



INTERNAL DROP BOLT

Item No. SUBY-

Internal aluminium drop bolt. The drop bolt is operated at a convenient height. The aesthetical solution for all your double-wing gates.



- Height adjustability of the drop bolt: 100 mm
- Throw: 120 mm
- Internal dropbolt in aluminium
- Steel handle with black overmoulded polyamide provides the optimal combination between robustness, ergonomics and protection against corrosion
- Internal push spring guarantees a perfect closure (even if the drop bolt is blocked by dirt inside the ground stop) and prevents overpressure
- Designed for profiles up to 3 mm thick
- Fast & easy fixing: 2 screws
- User-friendly manipulation of the drop bolt at a convenient height
- For gate profiles: 40x40 mm, 50x50 mm, 60x60 mm and 60x40 mm

AVAILABLE IN FOLLOWING RAL-COLOURS



ZILV



RAL 6005



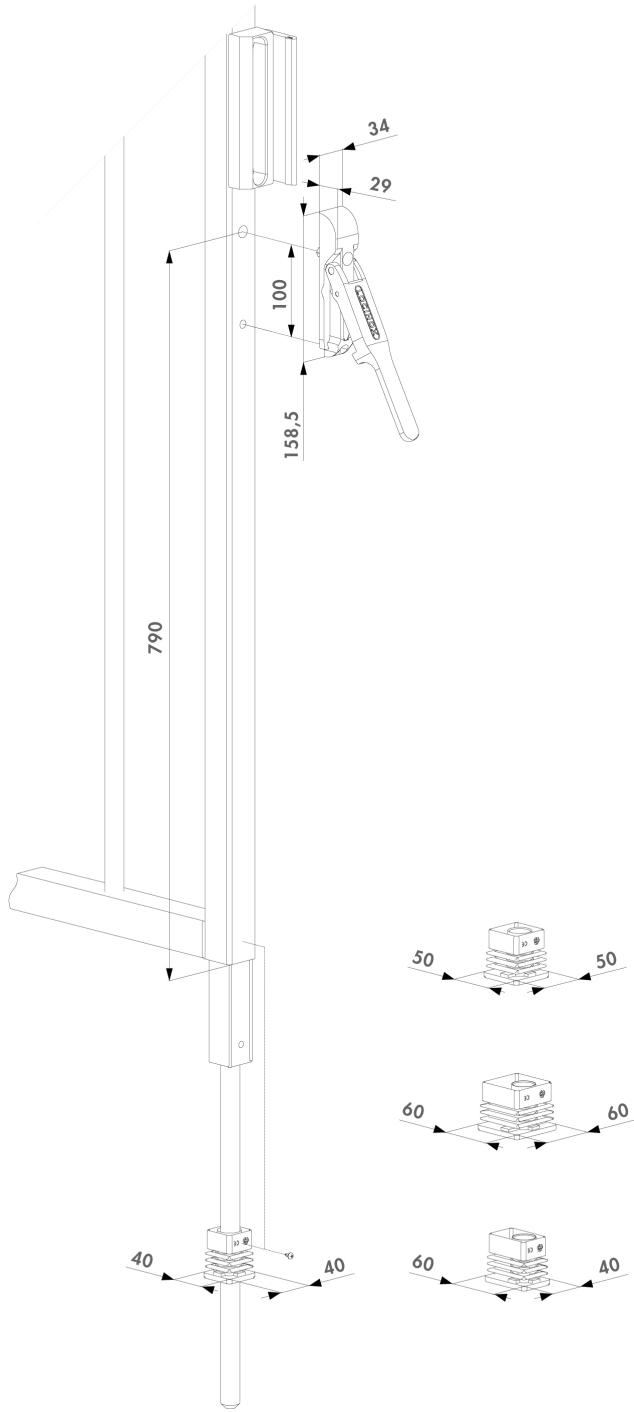
RAL 6009



RAL 9005

FEATURES





STAY INFORMED